

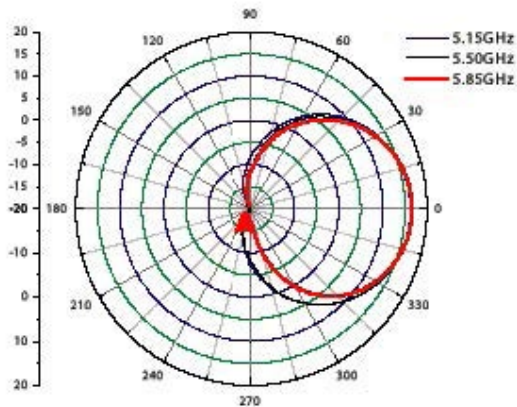
### Electrical Specification

FREQUENCY RANGE	4945 MHz - 5875 MHz
VSWR	2.0 : 1 Max
GAIN	16.5 dBi
POLARIZATION	Linear, vertical
HPBW/HORIZONTAL	60 degrees
HPBW/VERTICAL	6 degrees
ELECTRICAL DOWNTILT	0 degrees
POWER HANDLING	5 W (cw)
IMPEDANCE	50 ohms
CONNECTOR TYPE	N-type Jack

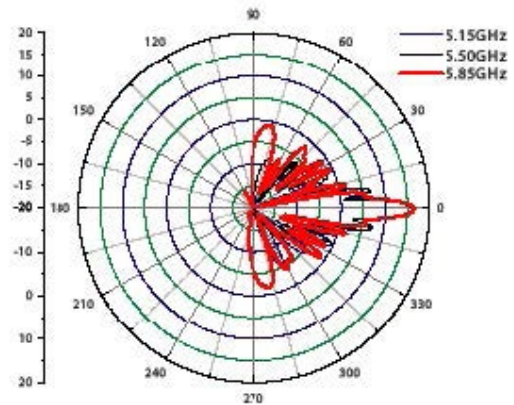
### MECHANICAL & ENVIRONMENTAL SPECIFICATIONS

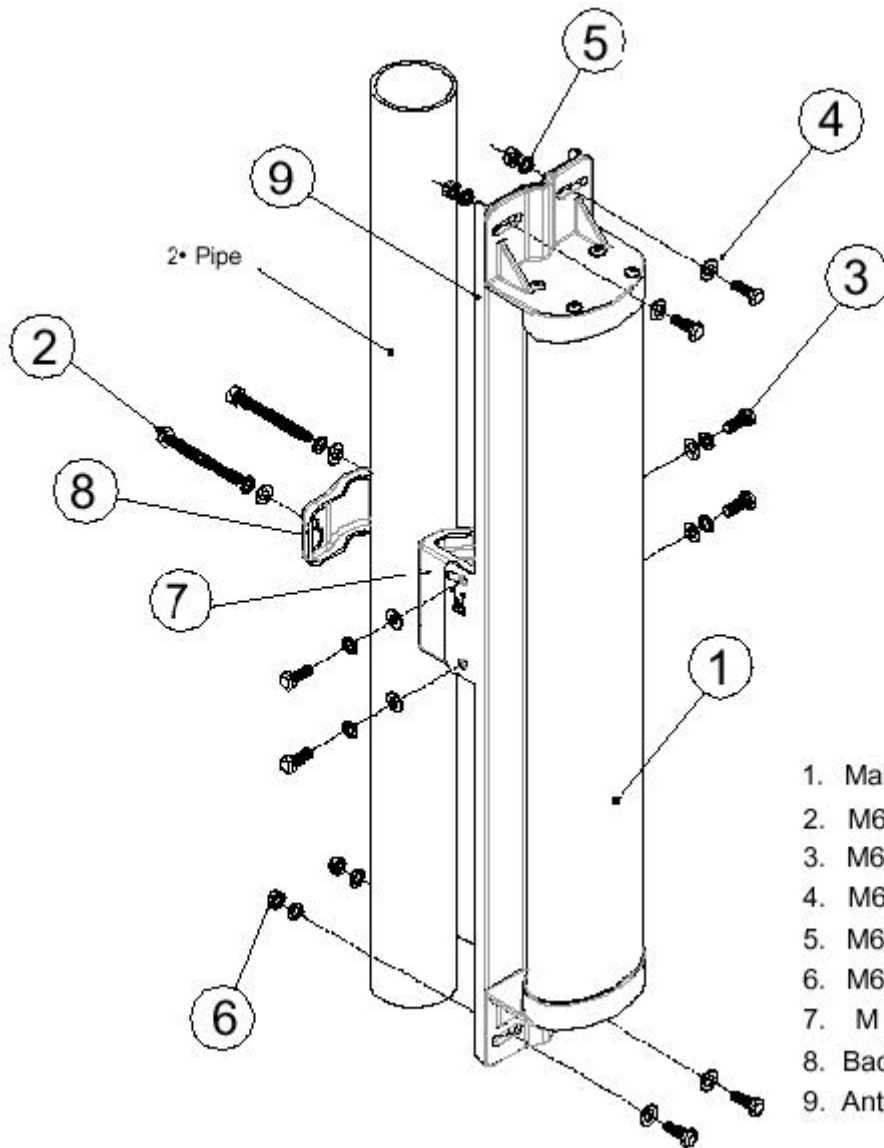
DIMENSIONS	620 x 88 x 70 mm
WEIGHT	565 gw
TEMPERATURE RANGE	-40 C to +80 C
HUMIDITY	95% @ +25 C
SURVIVAL WIND SPEED	180 km/hr
LIGHTNING PROTECTION	DC ground
RADOME COLOR	Gray
RADOME MATERIAL	ABS

H-Plane Co-polarization pattern



V-Plane Co-polarization pattern





- |                            |      |
|----------------------------|------|
| 1. Main body               | 1pcs |
| 2. M6_60mm Bolt            | 2pcs |
| 3. M6_16mm Bolt            | 8pcs |
| 4. M6_Washer               | 8pcs |
| 5. M6_S/Washer             | 8pcs |
| 6. M6_Nut                  | 4pcs |
| 7. M Type Braceket •       | 1pcs |
| 8. Back Support Plate •    | 1pcs |
| 9. Antenna Support Plate • | 1pcs |