



Passive GPS Antenna for Edge Series

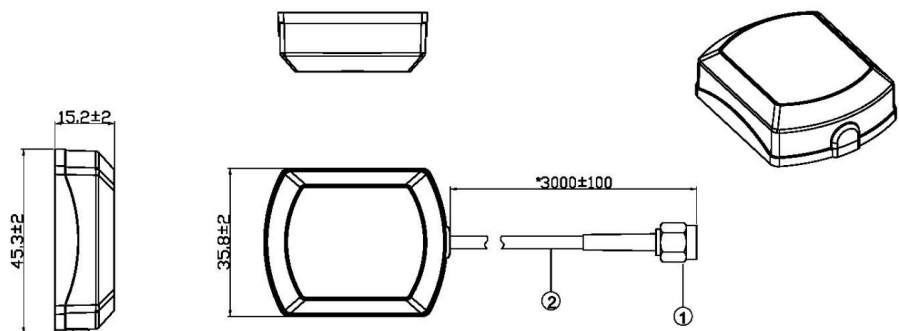
Features

- Outdoor GPS antenna
- 3 meter RG174 cable
- SMA connector
- Pack of 10 pieces

Technical Specifications

ANTENNA		MECHANICAL	
CENTER FREQUENCY	1575.42 ±1 MHz	CABLE	RG174
BAND WIDTH	CF ±5 MHz	CONNECTOR	SMA – Male
POLARIZATION	RHCP	LENGTH	9.8 feet / 3 m
GAIN	3 dB	DIAMETER	0.1 inch / 2.6 mm
VSWR	<1.5:1	RADOME	
IMPEDANCE	50Ω	MATERIAL	ABS
AXIAL RATIO	3 dB (max)	DIMENSION	1.8 x 1.4 x 0.6 inch / 45.3 x 35.8 x 15.2 mm
REFLECTOR DIMENSION	1 x 1 x 0.15 inch / 25 x 25 x 4 mm	MOUNTING METHOD	Magnet
		ENVIRONMENTAL	
		TEMPERATURE RANGE	-40 to +85 °Celsius
		RELATIVE HUMIDITY	Up to 95%
		VIBRATION	10 to 55Hz with 1.5mm Amplitude 2hours
		COMPLIANCE	
		RoHS	Compliant

Drawing



Item	
1	SMA Male connector
2	RG174 Cable – Black

Radiation Pattern

