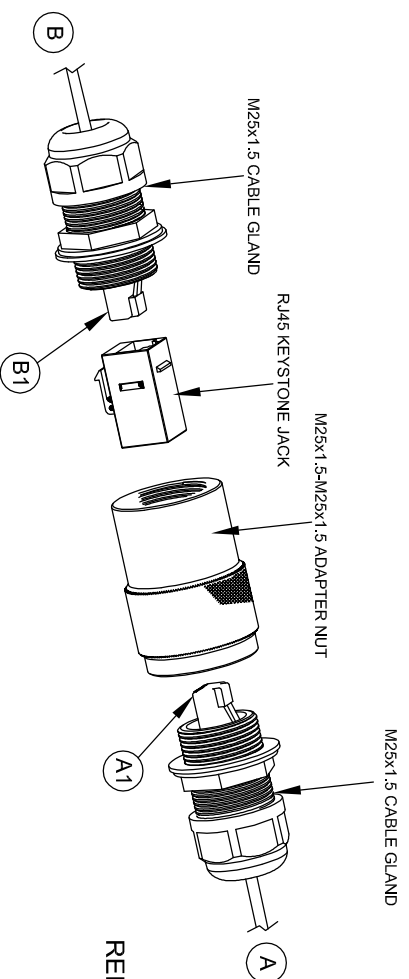


**USER INSTRUCTION FOR IP67 RJ45 CABLE EXTENDED KIT**



**PICTURE - 1**

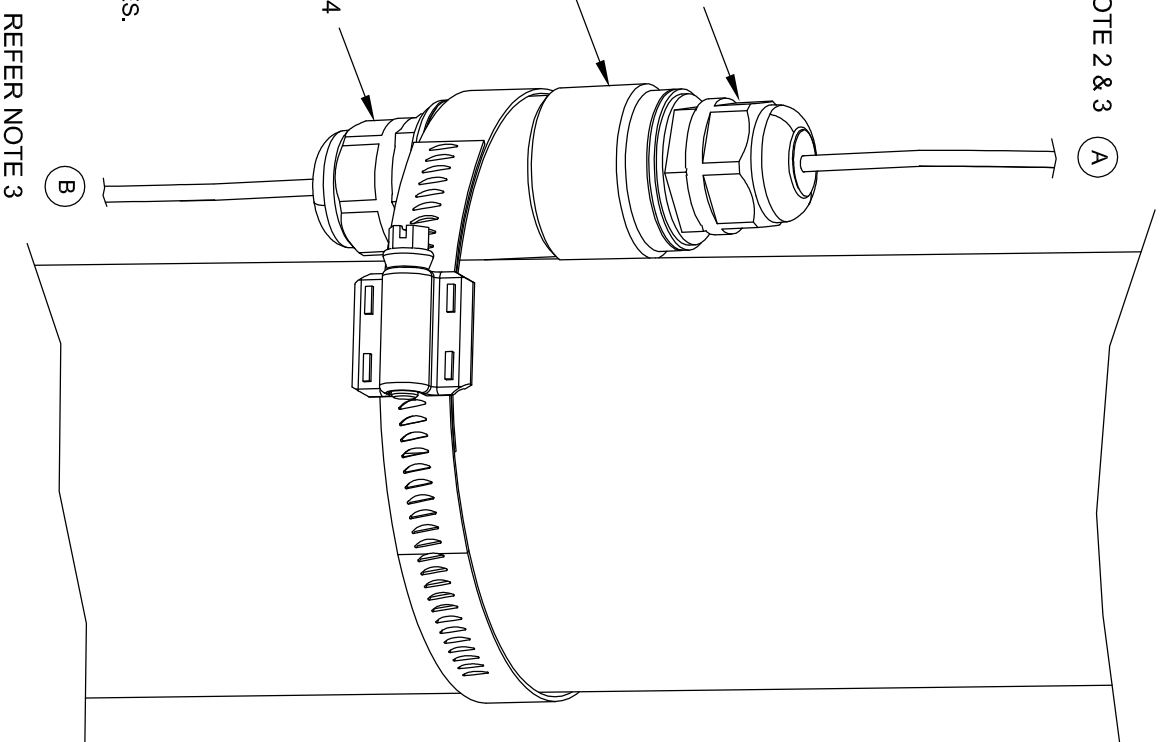
REFER NOTE 2 & 3

(A)

REFER NOTE 4

IP-67 RATING RJ45 COUPLING  
CONNECTOR ASSEMBLY

REFER NOTE 4



**PICTURE - 2**

**INSTALLATION NOTES:**

1. ASSEMBLE RJ45 CONNECTORS ENDS 'A1' & 'B1' TO IP-67 RATING RJ45 COUPLING CONNECTOR AS SHOWN IN THE PICTURE-1.  
FOR PROPER WEATHER PROOFING AND OTHER END-'B' IS CONNECTED TO THE CUSTOMERS PREMISES.
2. CONNECT OTHER ENDS ('A' & 'B') OF RJ45 CONNECTORS TO POE-IN FOLLOW QIG INSTRUCTIONS FOR PROPER WEATHER PROOFING AND OTHER END-'B' IS CONNECTED TO THE CUSTOMERS PREMISES.
3. USE SS HOSE CLAMP OF DIA 2" - 5" FOR CLAMPING IP-67 RATING RJ45 COUPLING CONNECTOR TO POLE AS SHOWN IN THE PICTURE-2. TO AVOID OVERHANGING & STRESSES ON THE RJ45 CABLE.
4. TO TIGHTEN THE CAPS HAND TIGHT IS ENOUGH.