



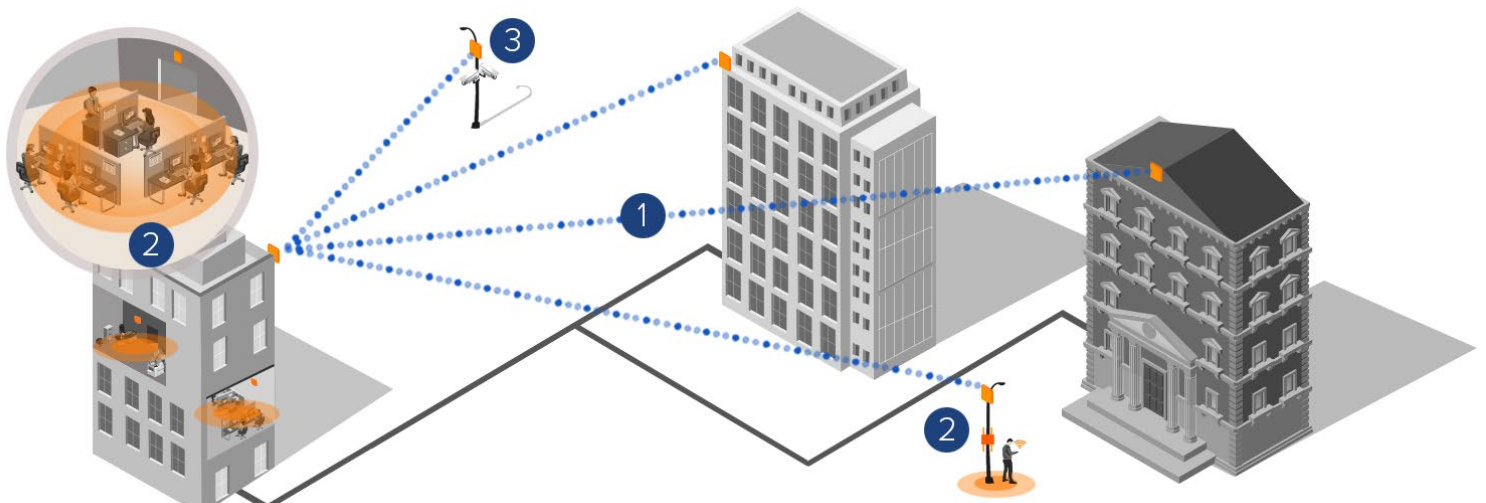
# Proxim Wireless for Governments and Municipalities

Municipalities and Governments demand secure, reliable and cost-effective solutions that can scale easily to connect various departments such as public works, fire and police departments etc. Typically, governments have been using leased line solutions, which involve connecting distant offices with copper or fiber. The Internet Service Provider charges the customer (governments) on a recurring basis, along with one time installation and deployment charges. As one might guess, these solutions result in high OPex and CAPEX budgets.

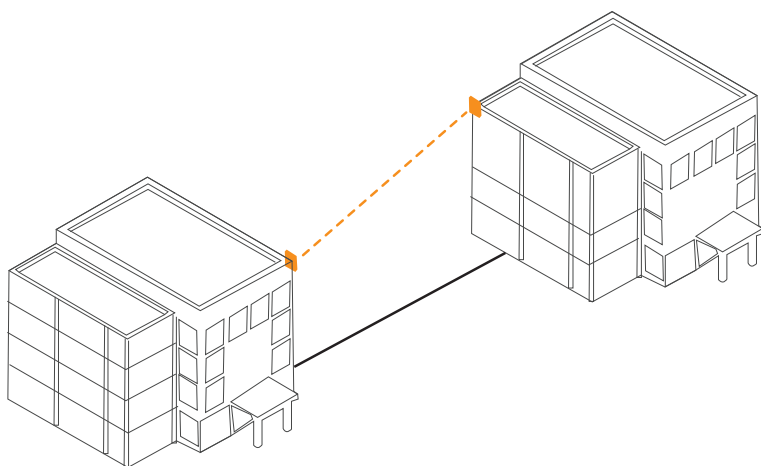
For over 30 years, Proxim's line of outdoor point to point and multipoint solutions have provided secure, scalable, robust and high capacity solutions for governments all across the globe. Proxim Tsunami<sup>®</sup> radios are capable of operating in a wide range of frequencies with solutions from 25 Mbps to 600 Mbps +real world throughput. Proxim also provides indoor and outdoor WiFi for increased collaboration between teams inside offices and field and first responder teams.

## Proxim Enables a Wide Variety of Government Applications

- 1 Replace Leased Line Connections    2 Indoor and Outdoor WiFi    3 Video Surveillance



# Proxim Wireless Solutions

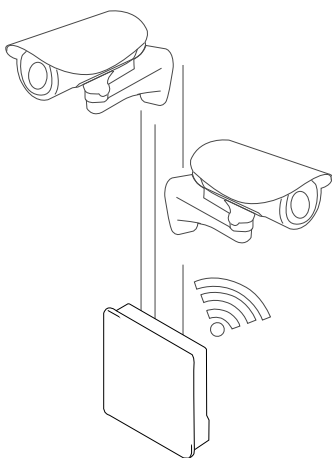
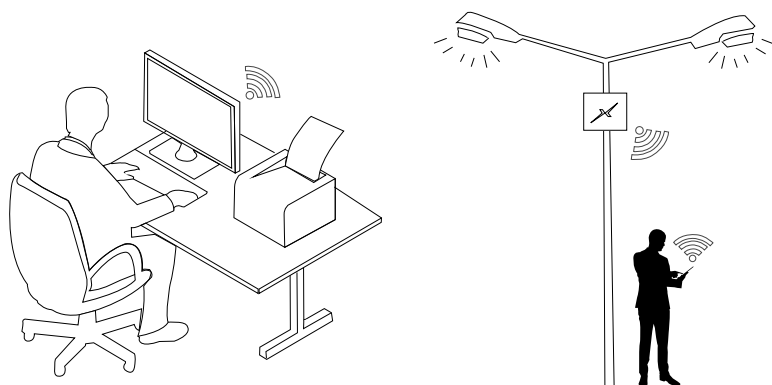


## Replace Leased Line Connections

Proxim helps rapidly deploy cost-effective network solutions that come at a fraction of the traditional leased line costs. There are no recurring costs involved and Proxim's solutions come at relatively low capital costs. In addition, wireless solutions are immune to cable cuts that are an inherent risk when deploying wirelines based solutions; making wireless networks a perfect solution for primary or secondary backup connectivity needs.

## Indoor and Outdoor WiFi

Proxim's ORiNOCO® product line features outdoor and indoor high speed WiFi Access Points capable of delivering speeds of up to 1750 Mbps. The entire ORiNOCO® product line is managed via the ProximVision® Advanced platform which is a single centralized network controller and management solution. This combined solution addresses all the demands of WiFi – centralized monitoring and management, advanced security and access control. For the outdoor platform, Proxim provides Access Points with built in backhaul making deployments much simpler and easy to maintain.



## Video Surveillance

With superior WORP® QoS, different classification rules for different traffic classes can be defined, such as priority, bandwidth, latency and jitter. This allows government teams to deploy multiple applications and data types on a single wireless network – video security, office connectivity, sign boards, and perimeter control in and around their offices to name a few. Proxim's solution also support mobility applications such as border patrolling and first responder communications.



# Why Proxim is the Right Choice?

## Control and manage networks Effortlessly with ProximVision® Advanced

Offering a complete set of powerful tools, ProximVision® Advanced (P VA) unifies management of the entire network infrastructure with just a few clicks. Combining the best in class NMS/SNMP features with client control enabled via WLAN controllers, P VA gives IT managers a single interface for all their network management needs. From easy automatic WiFi setup to remote device configuration and management P VA provides total control making it the right choice for demanding enterprise environments.

### Control your Network

- Easily setup guest WiFi networks with multiple SSIDs
- Instant visibility into device type, security policies, installed applications, and more.
- Role-based administration ensures secure control and governance over the network, while offering defined visibility to designated staff only as needed
- Efficient control of AP resource and efficiency with RF channel Management, Load Balancing and Band Steering

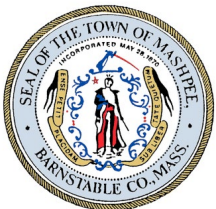
### Efficient Network Management

- Instantly deploy devices with automatic discovery, provisioning and firmware upgrade
- Pre-schedule or automate day to day maintenance tasks
- ProximVision® Advanced dashboard providing real time monitoring and historical performance information
- Build custom reports and set email alert of vital network statistics
- ProximVision® Advanced fully supports Proxim ORINOCO® and Tsunami® product lines, while providing basic information for SNMP ready 3rd party elements (such as Router, Switches and video cameras etc.

### Be the First to Know of Any Faults

- Identify faults and troubleshoot remotely
- Visualize network status on static or dynamic maps
- Set advanced threshold rules for alarms and push-notifications on events requiring immediate notification

“None of the other solutions offered such high throughput and reliability. With Proxim’s Tsunami® Point to Multipoint solutions, we have cut down our networking cost to almost a third. Thanks Proxim, looking forward for more.”



Town of Mashpee

# Advanced Security and Access Control

## Outdoor Network Security

- Every Proxim Tsunami® radio implements tiered security layers for the most secure outdoor wireless communications system in the unlicensed frequency spectrum
- Proxim's Wireless Outdoor Routing Protocol (WORP®) prevents snooping and features highly-secure remote management via SSL, SSH and SNMPv3
- Providing security with AES encryption technology prevents unsecure client-to-client communications and leverages MAC, Ethertype, and IP address packet filtering for granular network security

## Indoor Network Security

- ORINOCO® solutions provide enterprise class security to ensure full protection of sensitive information
- 802.11i/WPA2™ based security with AES 128 encryption and 802.1x Radius based authentication
- Rogue scanning and listing of surrounding devices
- Secure management (SSL/TLS1.2, SSH and SNMPv3) preventing unwanted configuration changes

# High Availability and Efficient

## Proxim ClearConnect™

Ensures Proxim Tsunami® radios operate even in the most hostile RF conditions where other standard wireless technologies simply fail to perform. It offers a host of adaptive features including Dynamic Channel Selection, Satellite Density, Beam Steering and many more to ensure high spectrum efficiency with minimal error rates.

## WORP®

Proxim has invested over fifteen years of continuous development and wireless expertise to create our Wireless Outdoor Routing Protocol known as WORP®. WORP® is a reliable, secure, and highly efficient protocol that guarantees delivery and optimal performance with Quality of Service controls, supporting quad play applications on a single wireless network such as mobility, video surveillance, VOIP and other delay sensitive multimedia applications. WORP® also helps ISPs control bandwidth and differentiate service offerings with the ability to enforce SLAs. Learn more about the [WORP® advantage here](#).

---

“Proxim was originally chosen through the RFP process. Once installed and configured we found the equipment to be reliable and robust. In the harsher months the equipment has stood up to climate. I am pleased with performance and reliability.”



City of Quinte West